

## EPDM aerators and membranes

### Technical data

Shore- hardness:	50° ± 5° oder 45° ± 5°
density:	1,06 g/cm <sup>3</sup>
tear strength:	> 10 N/mm <sup>2</sup>
elongation at break:	> 600%
Tear propagation resistance:	> 8 N/mm
temperature resistance:	80° C
Compression set: (24h, 70° C)	< 25%
Proportion of plasticizer:	< 20%

Tolerances according to DIN ISO 3302- medium or fine.

### Scope of application

Aerator for the intermittent and continuous operation.  
Mounting on square tube 60 - 100 mm with 45 mm hole

### Brief Description

EPDM tube aerator selectable in lengths of 500/750/1000 mm  
Diameter 65 or 90 mm with 45 mm centering ring and ¾ "/ 1" internal thread  
Attachment via quick connector or tube double nipple to square tube

### Characteristics

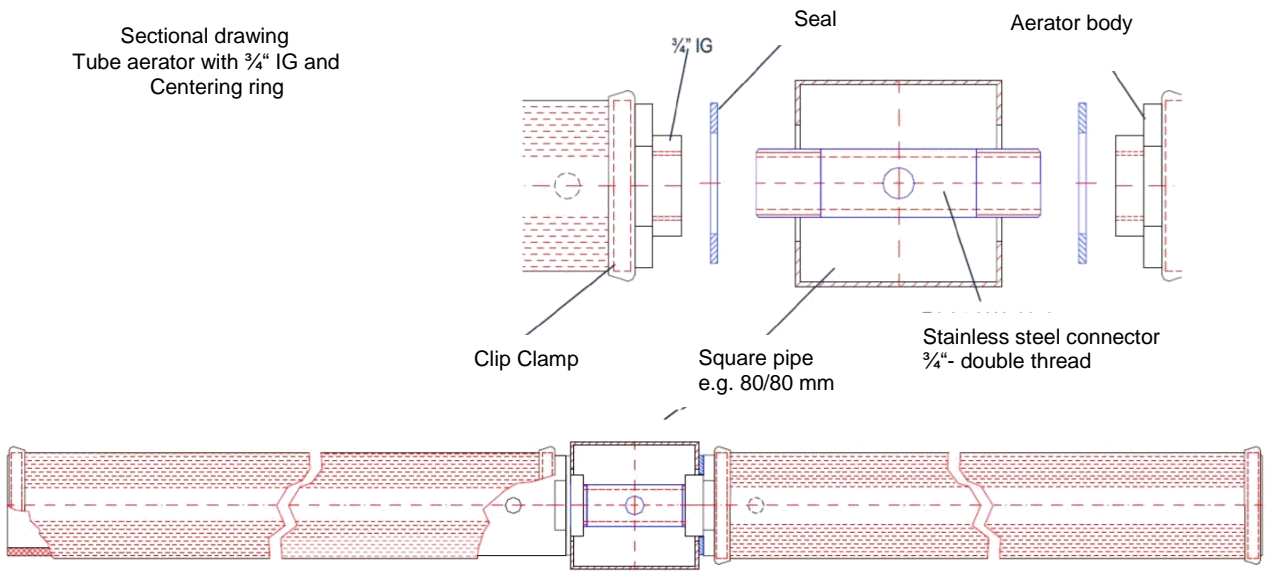
**EPDM** membranes are proven a million times . They are available in inexpensive, free-heated and high quality spike heated version. The Shore A hardness is 50 °. All our EPDM membranes are low in plasticizer. The material thickness is 1.8 mm as standard, which guarantees long standing times when used in municipal wastewater according to DWA-M 115.

<b>Membrane</b>	plasticizers arm EPDM 1,8 mm
<b>Slot length</b>	1,1 or 1,3 mm
<b>Perforation density</b>	14 or 43 slots/cm <sup>2</sup>
<b>Opening Pressure (WD 1,8 mm)</b>	ca. 52 mbar
<b>Wastewater resistance</b>	Municipal wastewater after DWA-M 115
<b>Temperature resistance</b>	0 – +80° C
<b>Aerator Impingement</b>	Minimum: 2 Nm <sup>3</sup> / h x m aerator Standard: 8 Nm <sup>3</sup> / h x m aerator Maximum: 10 Nm <sup>3</sup> / h x m aerator

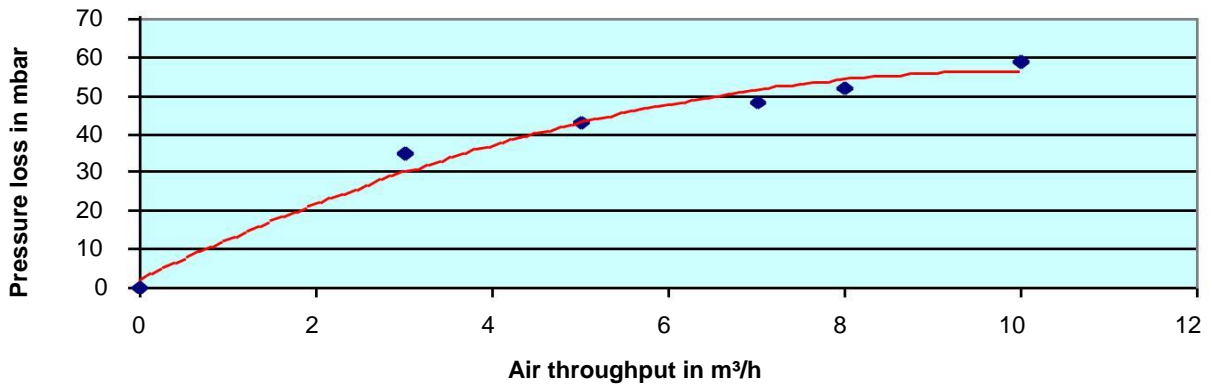
Aerator	Ø	Length	Outgassing Length	Gassing Area	Boost	Weight
AFT500	65 mm	530 mm	500 mm	0,09 m <sup>2</sup>	3,3 N	810 g
AFT750	65 mm	780 mm	750 mm	0,13 m <sup>2</sup>	4,9 N	1010g
AFT1000	65 mm	1030 mm	1000 mm	0,18 m <sup>2</sup>	6,4 N	1300 g

Aerator	Ø	Length	Outgassing Length	Gassig Area	Boost	Weight
AFT500/9	90 mm	530 mm	500 mm	0,13 m <sup>2</sup>	4,3 N	980 g
AFT750/9	90 mm	780 mm	750 mm	0,19 m <sup>2</sup>	6,5 N	1420g
AFT1000/9	90 mm	1030 mm	1000 mm	0,26 m <sup>2</sup>	8,5 N	1800 g

Sectional drawing  
Tube aerator with 3/4" IG and  
Centering ring



**Pressure loss 1000 mm Tube aerator with EPDM**



**Oxygen input (in pure water)**

